



# CATALOGUE 2009

LOGISTIC STORAGE SOLUTIONS



High Rise Storage



Mobile Rack



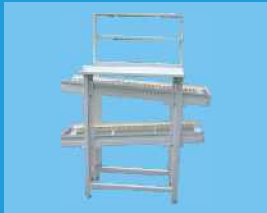
FIFO Storage Rack



Mould Rack



FPO Bin Trolley



On Line FIFO



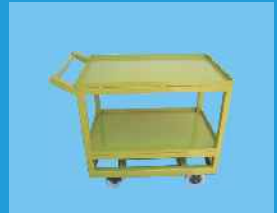
Pallet



Assembly Table



Tool Cabinet



Platform Trolley



CNC 'A' Type Trolley



Sheet Storage Rack



Mezzanine Floor



Auto Store Lift



Roller Track



Roto Store



Industrial Lockers



Conveyor



Pipe & Joint



Castors



## Tool Cabinet

Tool cabinet is an integrated storage cabinet and accessories of machine tools, components for easy and quicker accessibility.

Cabinet housing of quality fine gauge sheet metal, precision machined and welded, reinforced by means of welded front frames. The side supports are perforated on a pitch of 25:25 mm, so that the drawers of different heights can be fitted in varying models.

Drawers made of high quality fine gauge sheet metal - base with perforation on a (17.08 : 17.08) mm pitch of Dia 5.0 mm and moulded bridge with location slots runs around the back & side panels to accommodate partitioning material.

A one-piece, Aluminum handle runs the length of the welded front face. The drawers are designed for either standard or full opening and run quietly and smoothly on ball bearing slides.

All cabinet models include a central locking system, by a strip lock.

**Dimensions :**

- 1. Model I - 720 mm L x 720 mm D with different cabinet heights.
- 2. Model II - 583 mm L x 600 mm D with different cabinet heights.
- 3. Model III - 500 mm L x 500 mm D with different cabinet heights.



All cabinet models include a central locking system, by a strip lock.  
Lock with 2 keys



**Standard Pull-Out (SPO) :**

Load bearing capacity to 80 Kg, extent of drawer  
Pull out 75%. Drawers close flush with the housing

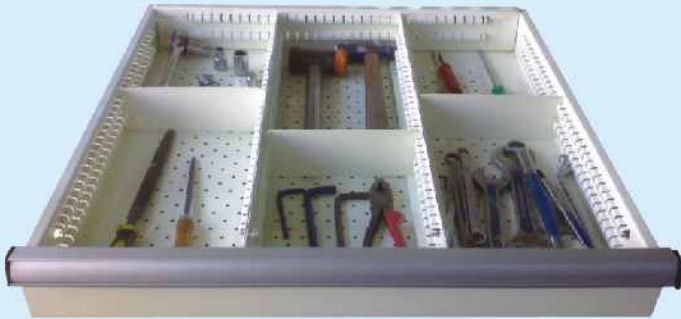


SPO Channel

FPO Channel

**Full Pull-Out (FPO) :**

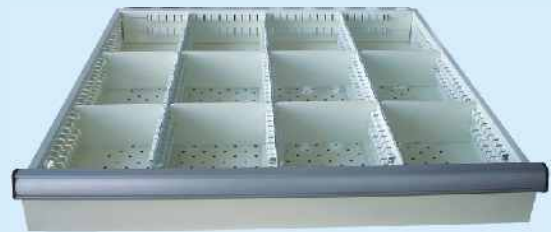
Load bearing capacity to 150 Kg, extent of drawer Pull-out 100% permits unrestricted view of drawer contents and easy access to every corner. The full pull-out guide way is extremely torsion resistant and laterally stable, even when fully extended.



### Partitions

Slotted partitions for variable longitudinal sectioning, possible on a (17.08 : 17.08) mm pitch. They can be placed in either direction front to back or side to side. Folded lower edges perforated to permit screw fastening to the drawer base.

Cross partitions provided for sub-dividing the drawer into compartments & these smaller units used for maximum utilization of the drawers.



**3 Slotted Partitions**  
M I 609  
M II 472

**8 Cross Partitions**  
CP2/8  
CP2/2, CP1/6

Product Code Model - I	Product Code Model - II	Type of Pull-Out (mm)	Drawer Face Height (mm)
Ise03273	Ise03278	SPO	50
Ise03274	Ise03279	SPO / FPO	75
Ise03275	Ise03280	SPO/ FPO	100 & 125
Ise03276	Ise03281	FPO	150 & 175
Ise03277	Ise03282	FPO	200 & 250



**1 Slotted Partitions**  
M I 609  
M II 472

**6 Cross Partitions**  
CP6/2  
CP5/2

Product Code Model - I	Product Code Model - II	Type of Pull-Out (mm)	Drawer Face Height (mm)
Ise03253	Ise03258	SPO	50
Ise03254	Ise03259	SPO / FPO	75
Ise03255	Ise03260	SPO/ FPO	100 & 125
Ise03256	Ise03261	FPO	150 & 175
Ise03257	Ise03262	FPO	200 & 250



**4 Slotted Partitions**  
M I 609

**10 Cross Partitions**  
CP2/4, CP1/6

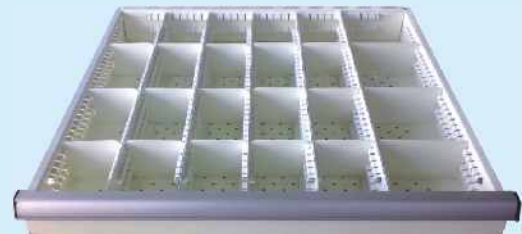
Product Code Model - I	Product Code Model - II	Type of Pull-Out (mm)	Drawer Face Height (mm)
Ise03283	-	SPO	50
Ise03284	-	SPO / FPO	75
Ise03285	-	SPO/ FPO	100 & 125
Ise03286	-	FPO	150 & 175



**\* 2 Slotted Partitions**  
M I 609  
M II 472

**6 Cross Partitions**  
CP4/6  
CP2/4, CP3/2

Product Code Model - I	Product Code Model - II	Type of Pull-Out (mm)	Drawer Face Height (mm)
Ise03263	Ise03268	SPO	50
Ise03264	Ise03269	SPO / FPO	75
Ise03265	Ise03270	SPO/ FPO	100 & 125
Ise03266	Ise03271	FPO	150 & 175
Ise03267	Ise03272	FPO	200 & 250

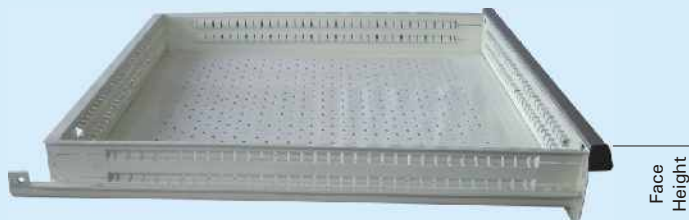


**5 Slotted Partitions**  
M I 609

**18 Cross Partitions**  
CP1/18

Product Code Model - I	Product Code Model - II	Type of Pull-Out (mm)	Drawer Face Height (mm)
Ise03290	-	SPO	50
Ise03291	-	SPO / FPO	75
Ise03292	-	SPO/ FPO	100 & 125
Ise03293	-	FPO	150 & 175

# TOOL CABINET



Standard Pull Out (SPO) – 75% pull out



Full Pull Out (FPO) – 100% pull out

## Technical Data

Drawer Face Height (mm)	Type of Pull-Out	Load Carrying Capacity Kgs of UDL	Drawer Heights		Slotted Partitions			Cross Partitions						
			Front (mm)	Back & Side (mm)	Height (mm)	Length Model-I (mm)	Length Model-II (mm)	Height (mm)	Lengths (mm)					
									CP-1	CP-2	CP-3	CP-4	CP-5	CP-6
50	SPO	80	47	25	23	609	472	21	97	148	165	200	235	303
75	SPO	80	72	50	48	609	472	46	97	148	165	200	235	303
75	FPO	150	72	50	48	609	472	46	97	148	165	200	235	303
100	SPO	80	97	75	73	609	472	71	97	148	165	200	235	303
100	FPO	150	97	75	73	609	472	71	97	148	165	200	235	303
125	SPO	80	122	75	73	609	472	71	97	148	165	200	235	303
125	FPO	150	122	75	73	609	472	71	97	148	165	200	235	303
150	FPO	150	147	120	118	609	472	116	97	148	165	200	235	303
175	FPO	150	172	120	118	609	472	116	97	148	165	200	235	303
200	FPO	150	197	170	168	609	472	166	97	148	165	200	235	303

## Drawer Specifications

Model No.	Model I	Model II	Model III
Cabinet Size ( L x D ) mm	720 x 720	583 x 600	500 x 500
Drawer Size ( L x D ) mm	612 x 612	475 x 475	392 x 392
Drawer Face Height	Type of Pull out	Product Code	
50	SPO	Ise03220	Ise03231
75	SPO	Ise03221	Ise03232
75	FPO	Ise03222	Ise03233
100	SPO	Ise03223	Ise03234
100	FPO	Ise03224	Ise03235
125	SPO	Ise03225	Ise03236
125	FPO	Ise03226	Ise03237
150	FPO	Ise03227	Ise03238
175	FPO	Ise03228	Ise03239
200	FPO	Ise03229	Ise03240
250	FPO	Ise03230	Ise03241

**SPO** – Standard Pull-Out Load carrying capacity of Drawer – 80 Kgs. of UDL

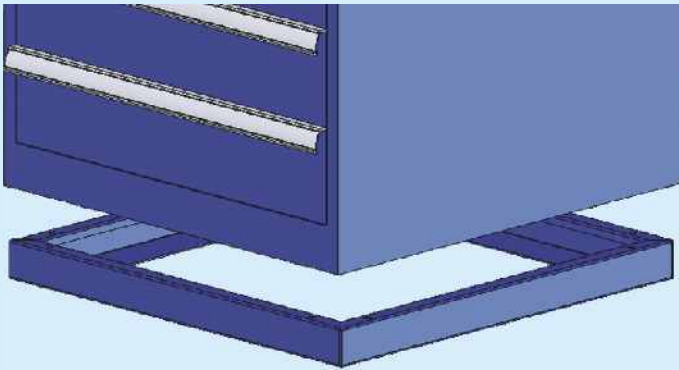
**FPO** – Full Pull-Out Load carrying capacity of Drawer – 150 Kgs. of UDL

## Standard Model

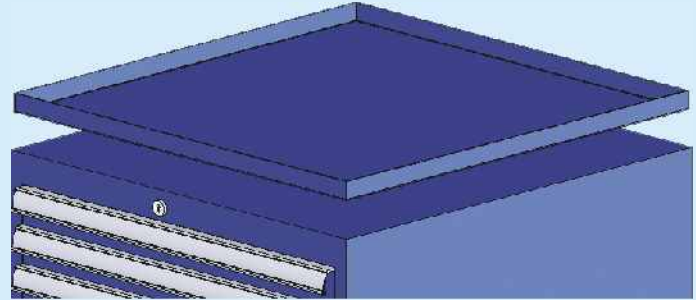
Model No.	Model I	Model I	Model I	Model I	Model I	Model II	Model II	Model II	Model III	Model III	Model III	Model III
Height	400	800	1000	1450	1625	250	425	800	250	425	650	800
Model Type	Drawer Type (No. of Drawers)											
TC I	S 50 / 1 S 100 / 1 F 150 / 1	S 50 / 2 S 75 / 2 S 100 / 2 S 125 / 2	S 75 / 6 F 150 / 3	S 50 / 3 S 75 / 4 S 100 / 3 S 125 / 2 F 150 / 1 F 200 / 1	S 75 / 3 S 100 / 5 F 150 / 4 F 200 / 1	S 50 / 3	S 50 / 2 S 75 / 3	S 50 / 2 S 75 / 2 S 100 / 2 S 125 / 2	S 50 / 3	S 50 / 2 S 75 / 3	Door 550 / 1 with Center Partitions	S 50 / 2 S 100 / 2 Door 400 / 1
TC II	S 50 / 1 S 75 / 2 S 100 / 1	S 50 / 2 S 75 / 2 S 100 / 3 F 150 / 1	S 100 / 9	S 50 / 3 S 75 / 3 S 100 / 6 S 100 / 2 S 125 / 1 S 125 / 2 F 150 / 3 F 175 / 1 F 200 / 1	S 75 / 2 S 100 / 6 S 125 / 1 F 150 / 3 F 200 / 1	S 75 / 2	S 75 / 3 S 100 / 1	S 50 / 2 S 75 / 2 S 100 / 3 F 150 / 1	S 75 / 2	S 75 / 3 S 100 / 1	F 150 / 1 Door 400 / 1 with Center Partitions	S 50 / 2 S 75 / 2 S 100 / 3 F 150 / 1
TC III	S 75 / 4	S 100 / 7	F 150 / 6	S 100 / 3 S 125 / 3 F 150 / 2 F 175 / 1 F 200 / 1	S 50 / 1 S 75 / 4 S 100 / 6 S 125 / 1 S 125 / 1 F 150 / 3	S 50 / 1 S 100 / 1	S 50 / 4 S 125 / 1	S 100 / 7	S 50 / 1 S 100 / 1	S 50 / 4 S 125 / 1	S 75 / 2 Door 400 / 1 with Center Partitions	S 100 / 4 F 150 / 2
TC IV	S 100 / 3	S 50 / 2 S 75 / 3 S 100 / 1 S 125 / 1 F 150 / 1	S 75 / 2 S 100 / 3 F 200 / 1 F 250 / 1	S 75 / 4 S 100 / 4 F 150 / 3 F 200 / 1	S 75 / 1 S 100 / 7 F 150 / 2 F 200 / 1 F 250 / 1	--	S 50 / 2 S 100 / 1 S 125 / 1	S 50 / 2 S 75 / 3 S 100 / 1 S 125 / 1 F 150 / 1	--	S 50 / 2 S 100 / 1 S 125 / 1	S 100 / 3 F 250 / 1	S 100 / 7
TC V	--	S 75 / 2 S 100 / 1 S 125 / 1 F 150 / 1 F 175 / 1	S 50 / 1 S 75 / 2 S 100 / 3 S 125 / 2 F 150 / 2 F 200 / 1	S 75 / 4 S 100 / 3 S 125 / 2 F 150 / 2 F 200 / 1	--	--	S 100 / 2 S 125 / 1	S 75 / 2 S 100 / 1 S 125 / 1 F 150 / 1 F 175 / 1	--	S 100 / 2 S 125 / 1	S 100 / 1 F 150 / 3	S 75 / 2 S 100 / 1 S 125 / 1 F 150 / 1 F 175 / 1
TC VI	--	S 50 / 2 S 75 / 2 S 100 / 1 F 150 / 1 F 200 / 1	S 75 / 1 S 100 / 2 S 125 / 2 F 175 / 1 F 200 / 1	S 75 / 2 S 100 / 4 F 150 / 2 F 250 / 2	--	--	--	S 50 / 2 S 75 / 2 S 100 / 1 F 150 / 1 F 200 / 1	--	--	S 50 / 1 S 75 / 1 S 100 / 1 S 125 / 1 F 200 / 1	S 75 / 4 S 100 / 1 F 150 / 2
TC VII	--	S 50 / 1 S 75 / 2 S 100 / 1 F 150 / 1 F 250 / 1	S 50 / 3 S 75 / 2 S 100 / 2 F 150 / 2 F 250 / 1	S 75 / 2 S 100 / 3 F 150 / 3 F 200 / 1 F 250 / 1	--	--	--	S 50 / 1 S 75 / 2 S 100 / 1 F 150 / 1 F 250 / 1	--	--	--	S 50 / 1 S 75 / 2 S 100 / 1 F 150 / 1 F 250 / 1
TC VIII	--	--	--	F 150 / 9	--	--	--	--	--	--	--	--

SELECTION OF MODEL : Model No. / Height with Model Type / Drawer Type with No. of Drawers FINISH : Powder Coating / Cabinet - Deep Blue / Drawers – Ivory Glossy





**Top Tray**  
 Made of steel sheet.  
 Rubber sheet 6 mm thickness with Black colour on top.



**Base**

Product Code	Length (mm)	Depth (mm)	Height (mm)
Ise03291	720	710	50
Ise03292	583	590	50
Ise03293	500	490	50

Finish : Powder coating / Deep Blue

Product Code	Length (mm)	Depth (mm)	Height (mm)
Ise03294	718	718	25
Ise03295	581	598	25
Ise03296	498	498	25

Finish : Powder coating / Deep Blue

**Standard Model of Tool Cabinet**



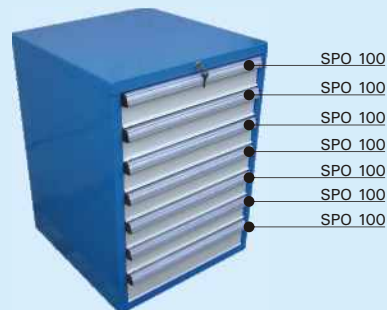
**MODEL I - 1625**



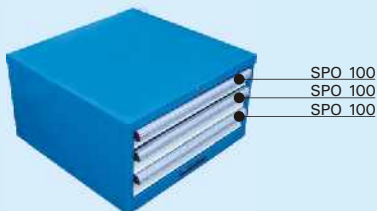
**MODEL I - 1450**



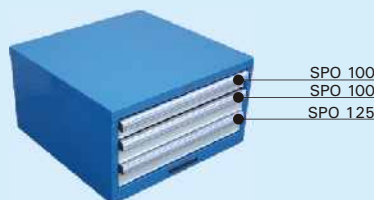
**MODEL I - 1000**



**MODEL I - 800**



**MODEL I - 400**



**MODEL II - 425**



**MODEL II - 250**

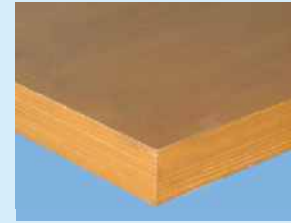
# TOOL CABINET

## Wooden Top

- Material : Bonded plywood worktop (Termide Proof – Extrinsic Grade)
- Top surface : Melamine finish.
- Bottom surface : Plain polished.
- All Side : With 6 mm tick wood lipping.
- Colour : Natural wooden.
- Thickness : 18 mm, 24 mm, 36mm and 48 mm..
- Maximum size : Available : (900 x 2400) mm..
- Longitudinal edge : Chamfered both Top and Bottom.



48 mm plywood

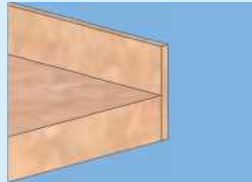


36 mm plywood

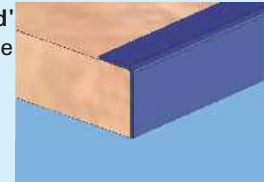
- Top Available
- 1) 750 mm L x 700 mm D
  - 2) 1500 mm L x 700 mm D
  - 3) 1800 mm L x 700 mm D
  - 4) 2000 mm L x 700 mm D
  - 5) 2400 mm L x 700 mm D

## Back Stopper

Made of plywood, longitudinal edges chamfered at top, complete with drilled holes and assembly screws.  
 Dimensions : 10mm thick x 100 mm H x along the length of worktop.



**Angle Section Edging , 'round - edged'**  
 Made of steel sheet (2mm thick) angle section, suitable for plywood top 48 mm, 36 mm thick.  
 Finish : Powder coating / Deep Blue.  
 Folded along the entire length of the



## Heavy Duty Workbenches : HD / W 75 Series

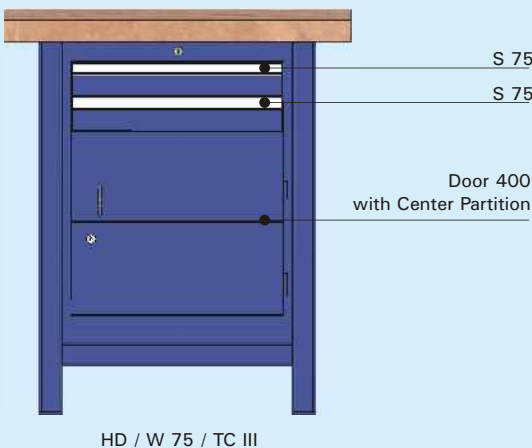
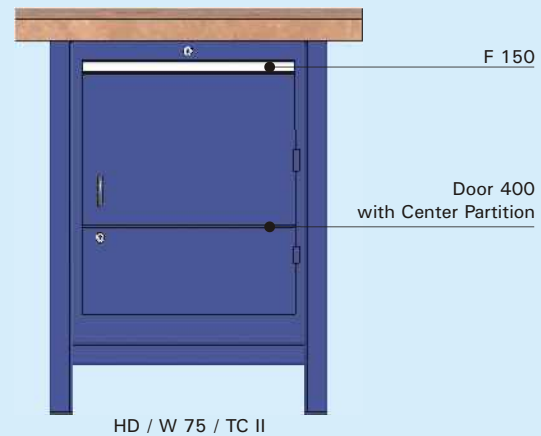
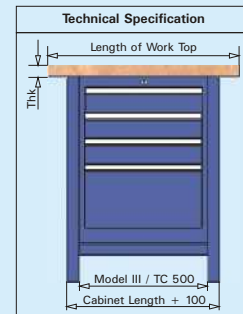
Dimensions : 750 mm L x 700 mm D x (850 / 900) mm H  
 Plywood 48 mm top available.

Tool cabinet Model III with different Model type of 650 Height fitting.

Back stopper with (10 mm Thk x 100 mm H) upon request.

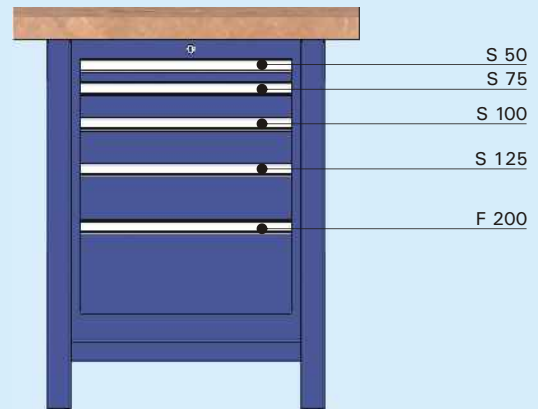
Standard height is 850 mm, when ordering, please specify height.

Finish : Powder coating (Deep Blue).





HD / W 75 / TC V



HD / W 75 / TC VI

## Heavy Duty Workbenches : HD / W 150 Series (Single Housing – SH)

Length of storage shelves = Length of TC Model III

Dimensions : 1500 mm L x 700 mm D x (850 / 900) mm H

Plywood 48 mm top available.

Tool cabinet Model III with different Model type of 650 Height fitting.

Back stopper with (10 mm Thk x 100 mm H) upon request.

Standard height is 850 mm, when ordering, please specify height.

Finish : Powder coating (Deep Blue).



HD / W 150 / SH / TC I (1 R)



HD / W 150 / SH / TC II (1 R)



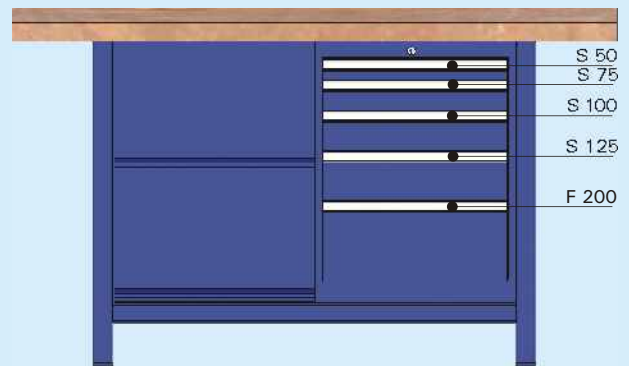
HD / W 150 / SH / TC III (1 R)



HD / W 150 / SH / TC IV (1 R)



HD / W 150 / SH / TC V (1 R)



HD / W 150 / SH / TC VI (1 R)

## Heavy Duty Workbenches : HD / W 150 Series (Both Side Housing – BH)

Dimensions : 1500 mm L x 700 mm D x (850 / 900) mm H

Plywood 48 mm top available.

Tool cabinet Model III with different Model type of 650 Height fitting.

Back stopper with (10 mm Thk x 100 mm H) upon request.

Standard height is 850 mm, when ordering, please specify height.

Finish : Powder coating (Deep Blue).



HD / W 150 / BH / TC II (1 LR)



HD / W 150 / BH / TC I (1 L), TC IV (1 R)



HD / W 150 / BH / TC III (1 LR)



HD / W 150 / BH / TC V (1 L), TC I (1 R)



## Heavy Duty Workbenches : HD / W 180, W 200 Series (Both Side Housing – BH)

Dimensions : 1800 mm L x 700 mm D x (850 / 900) mm H  
 2000 mm L x 700 mm D x (850 / 900) mm H

Plywood 48 mm top available.

Tool cabinet Model III with different Model type of 650 Height fitting.

Back stopper with (10 mm Thk x 100 mm H) upon request.

Standard height is 850 mm, when ordering, please specify height.

Finish : Powder coating (Deep Blue).



HD / W 180 / BH / TC II (1 LR)  
 HD / W 200 / BH / TC II (1 LR)



HD / W 180 / BH / TC IV (1 L), TC I (1 R)  
 HD / W 200 / BH / TC IV (1 L), TC I (1 R)



HD / W 180 / BH / TC II (1 L), TC IV (1 R)  
 HD / W 200 / BH / TC II (1 L), TC IV (1 R)



HD / W 180 / BH / TC VI (1 LR)  
 HD / W 200 / BH / TC VI (1 LR)

# TOOL CABINET

## Heavy Duty Workbenches : HD / W 180, W 200 Series (Three Side Housing – TSH)

Dimensions : 1800 mm L x 700 mm D x (850 / 900) mm H  
2000 mm L x 700 mm D x (850 / 900) mm H

Plywood 48 mm top available.

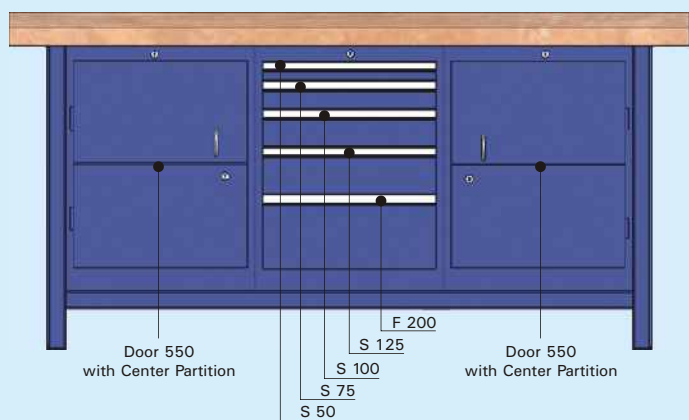
Tool cabinet Model III with different Model type of 650 Height fitting.

Back stopper with (10 mm Thk x 100 mm H) upon request.

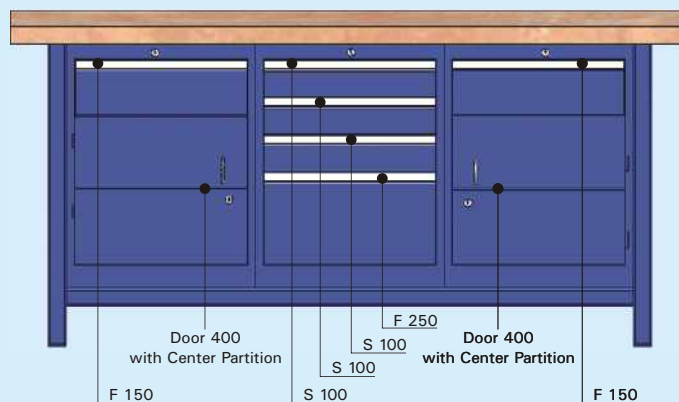
Standard height is 850 mm, when ordering, please specify height.

Finish : Powder coating (Deep Blue).

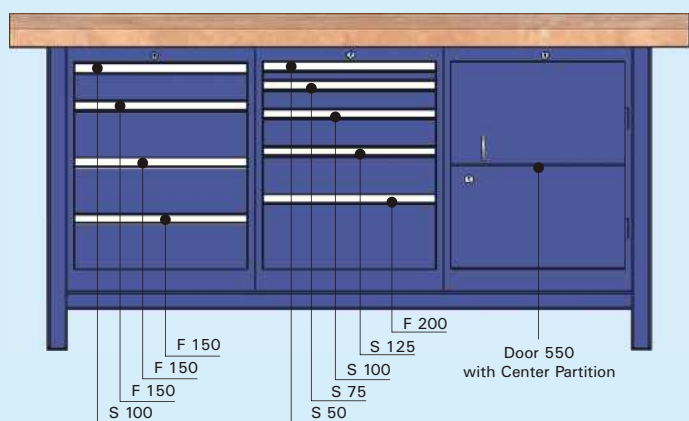
HD / W 180 / TSH / TC I (1 LR) / TC VI (M)  
HD / W 200 / TSH / TC I (1 LR) / TC VI (M)



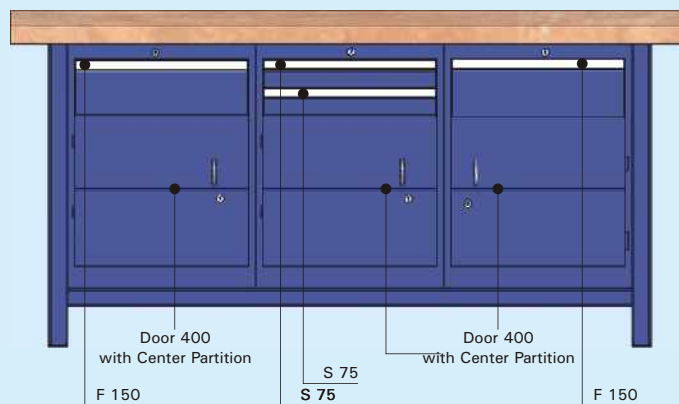
HD / W 180 / TSH / TC II (1 LR) / TC IV (M)  
HD / W 200 / TSH / TC II (1 LR) / TC IV (M)



HD / W 180 / TSH / TC V (1L), TC I (1 R) / TC VI (M)  
HD / W 200 / TSH / TC V (1L), TC I (1 R) / TC VI (M)



HD / W 180 / TSH / TC II (1 LR) / TC III (M)  
HD / W 200 / TSH / TC II (1 LR) / TC III (M)



## Light-Duty Workbenches (LD Series)

These workbenches are used as work and assembly table in production facilities as packing table or as a desk in the workshop.

Made of steel design with tubular structure and 'C' sections.

24 mm, 36 mm Thk. plywood top is available.

Single Drawer (TC 150 mm H / 100 mm H) is available.

Back stopper with (10 mm Thk. x 100 mm H) upon request.

Standard height of LD workbenches is 850 mm.

Finish : Powder coating / Deep Blue.

Standard height is 850 mm, when ordering, please specify height.

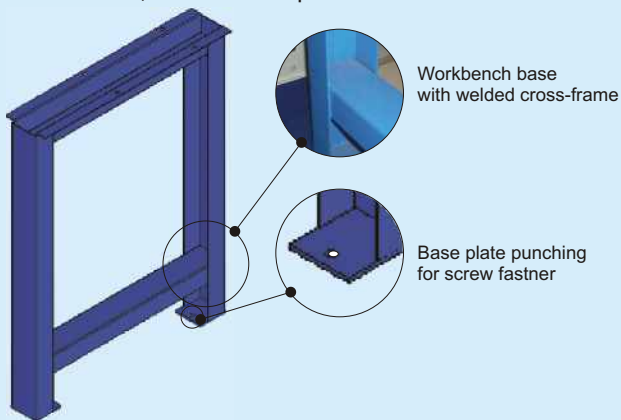
Model Type	Length (mm)	Width (mm)	Height (mm)
LD / W 75	750	700	850
LD / W 150	1500	700	850
LD / W 180	1800	700	850
LD / W 200	2000	700	850



## Modular Workbenches (MW Series)

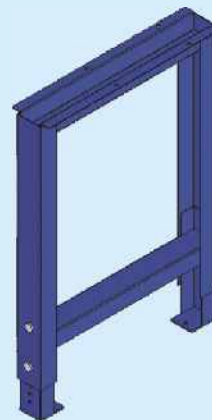
### Frame

Made of welded steel sheet structure 80 mm 'U' sections, 610 mm Deep

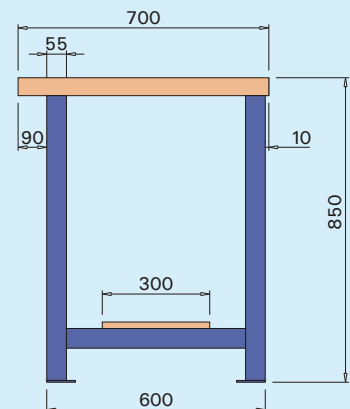
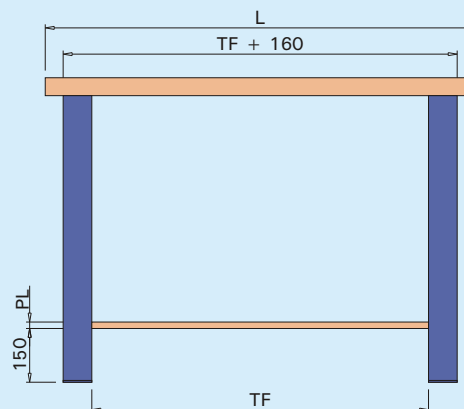
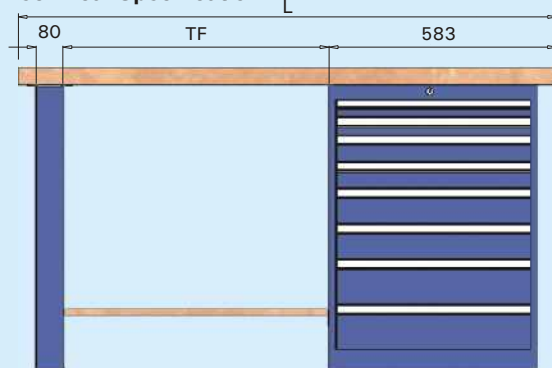


### Height-adjustable Frame

Adjustable between 850 mm and 1000 mm in steps of 25 mm



### Technical Specification



L : Length of table or worktop  
 TF : Clearance between two frames  
 PL : Plywood Thickness

# TOOL CABINET

## Modular Workbenches (MW Series)

Back stopper with (10 mm Thk. x 100 mm H) upon request.

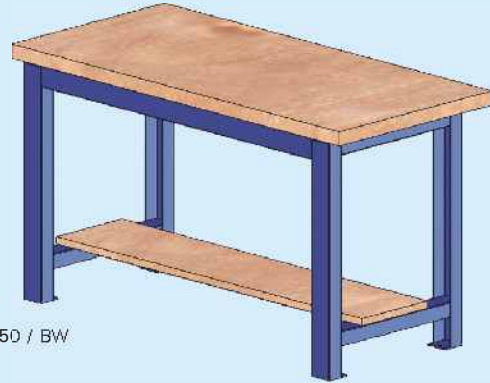
Finish : Powder coating / Deep Blue.



MD / W 150

Model Type	Length (mm)	Width (mm)	Height (mm)
MD / W 150	1500	700	850
MD / W 180	1800	700	850
MD / W 200	2000	700	850

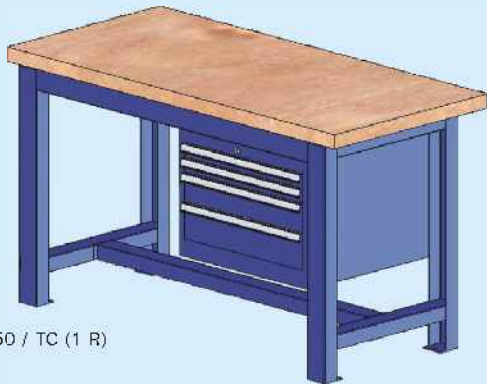
Plywood top 36 mm thk. & 48 mm thk. is available



MD / W 150 / BW

Model Type	Length (mm)	Width (mm)	Height (mm)
MD / W 150 / BW	1500	700	850
MD / W 180 / BW	1800	700	850
MD / W 200 / BW	2000	700	850

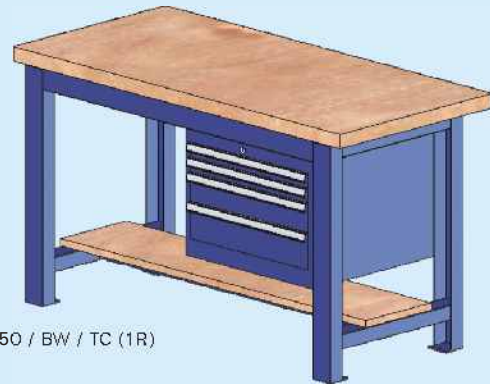
Plywood Top 36 mm thk. & 48 mm thk. is available  
Plywood Bottom 24 mm thk. & 18 mm thk. is available



MD / W 150 / TC (1 R)

Model Type	Length (mm)	Width (mm)	Height (mm)
MD / W 150 / TC (1 R)	1500	700	850
MD / W 180 / TC (1 R)	1800	700	850
MD / W 200 / TC (1 R)	2000	700	850

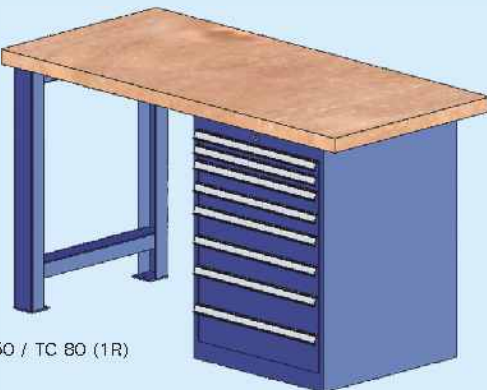
Plywood Top 36 mm thk. & 48 mm thk. is available  
Model II with TC (250 mm H & 425 mm H) is suitable



MD / W 150 / BW / TC (1R)

Model Type	Length (mm)	Width (mm)	Height (mm)
MD / W 150 / BW / TC (1R)	1500	700	850
MD / W 180 / BW / TC (1R)	1800	700	850
MD / W 200 / BW / TC (1R)	2000	700	850

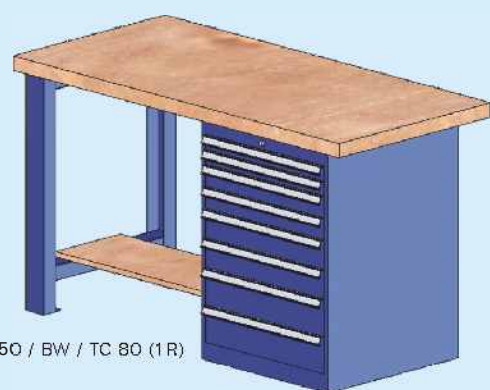
Plywood Top 36 mm thk. & 48 mm thk. is available  
Plywood Bottom 24 mm thk. & 18 mm thk. is available  
Model II with TC (250 mm H & 425 mm H) is suitable



MD / W 150 / TC 80 (1R)

Model Type	Length (mm)	Width (mm)	Height (mm)
MD / W 150 / TC 80 (1R)	1500	700	850
MD / W 180 / TC 80 (1R)	1800	700	850
MD / W 200 / TC 80 (1R)	2000	700	850

Plywood Top 36 mm thk. & 48 mm thk. is available  
Model II with TC (800 mm H) is suitable

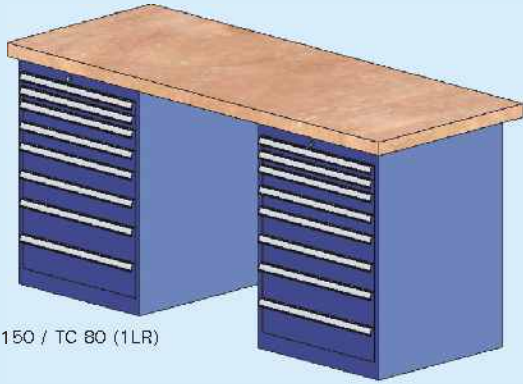


MD / W 150 / BW / TC 80 (1R)

Model Type	Length (mm)	Width (mm)	Height (mm)
MD / W 150 / BW / TC 80 (1R)	1500	700	850
MD / W 180 / BW / TC 80 (1R)	1800	700	850
MD / W 200 / BW / TC 80 (1R)	2000	700	850

Plywood Top 36 mm thk. & 48 mm thk. is available  
Plywood Bottom 24 mm thk. & 18 mm thk. is available  
Model II with TC (800 mm H) is suitable



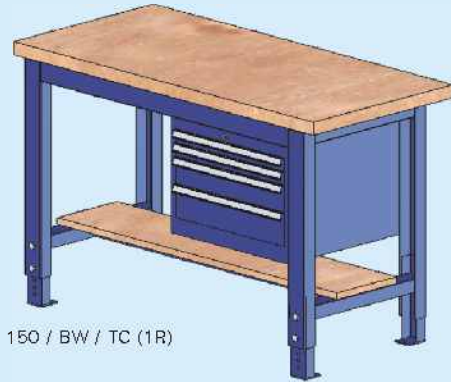


MD / W 150 / TC 80 (1LR)

Model Type	Length (mm)	Width (mm)	Height (mm)
MD / W 150 / TC 80 (1LR)	1500	700	850
MD / W 180 / TC 80 (1LR)	1800	700	850
MD / W 200 / TC 80 (1LR)	2000	700	850
MD / W 240 / TC 80 (1LR)	2400	700	850

Plywood Top 36 mm thk. & 48 mm thk. is available  
Model II with TC (800 mm H) is suitable

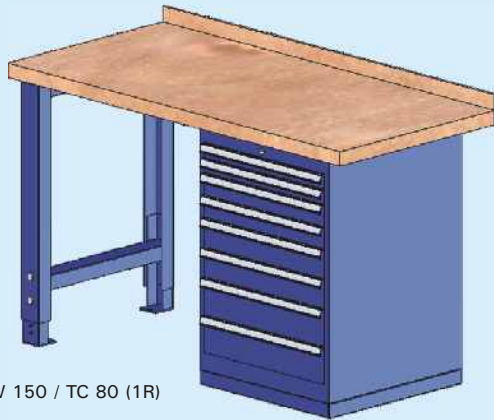
## Modular Workbenches with Height Adjustment



MD - A / W 150 / BW / TC (1R)

Model Type	Length (mm)	Width (mm)	Height (mm)
MD-A / W 150/BW/TC (1R)	1500	700	850
MD-A / W 150/BW/TC (1R)	1800	700	850
MD-A / W 150/BW/TC (1R)	2000	700	850

Plywood Top 36 mm thk. & 48 mm thk. is available  
Plywood Bottom 24 mm thk. & 18 mm thk. is available  
Model II with TC (250 mm H & 425 mm H) is suitable  
Adjustable Height is in steps of 25 mm

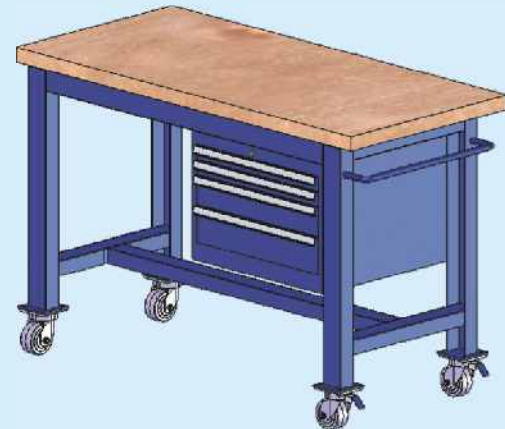


MD - A / W 150 / TC 80 (1R)

Model Type	Length (mm)	Width (mm)	Height (mm)
MD / W 150 / TC 80 (1R)	1500	700	850
MD / W 180 / TC 80 (1R)	1800	700	850
MD / W 200 / TC 80 (1R)	2000	700	850

Plywood Top 36 mm thk. & 48 mm thk. is available  
Model II with TC (800 mm H) is suitable.  
Adjustable Height is in steps of 25 mm.  
Back stopper with (10 mm Thk. x 100 mm H) is available.

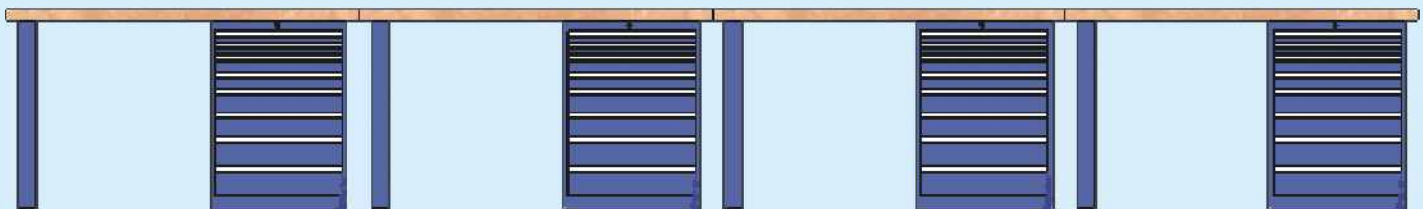
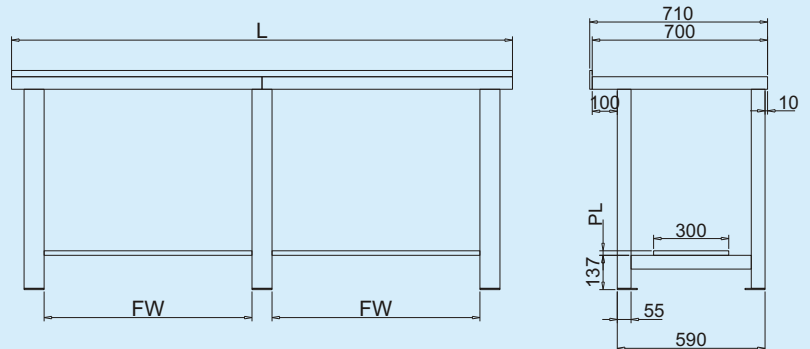
## Workbench Trolley



Dimension : 1500 mm L x 700 mm W x 900 mm H  
Plywood Top 36 mm thk. & 48 mm thk. is available  
Model II with TC (250 mm H & 425 mm H) is suitable  
Wheel : Castor, MD / HP 1 / Dia 150 (2 fixed & 2 swivel on brake)  
Finish : Powder coating / Deep Blue

## Modular Workbenches with Multiple Assembly

L : Length of table or worktop  
PL : Plywood Thickness



## TOOL CABINET



### Online Packing Table

Made of welded (40 x 40) Tubular structure.

Top 24 mm thk. plywood or 3 mm MS Top with (creamy white colour carpet) is available.

Standard working height is 850 mm & Provision of height adjustment on  $\pm 30$  mm..

Packing roll (Dia 550 mm) Provision to fit by Nut and Bolts on bottom.

Middle shelf made of steel sheet 250 mm width with of height adjustable of 20 mm..

Top shelf made steel sheet 300 mm width to keep box files along the table, on partitions of MS bar.

Dual tube light with reflector and switch is available.

Model Type	Length (mm)	Width (mm)	Height (mm)
OPT / W 120	1200	750	1600
OPT / W 150	1500	750	1600
OPT / W 180	1800	750	1600

### Maintenance Table

Plywood Top 36 mm thk. & 48 mm thk. is available

Plywood Bottom 24 mm thk. & 18 mm thk. is available

Model II with TC (250 mm H & 425 mm H) is suitable

Perforated panel is along the length of table

For Accessories, refer Create & FPO Bin Product No. 05

Finish : Powder coating (Deep Blue / Ivory Glossy/ PO Red).

Model Type	Length (mm)	Width (mm)	Height (mm)
MT / 150	1500	700	850
MT / 180	1800	700	850
MT / 200	2000	700	850



### Maintenance Table (TC 80)

Plywood Top 36 mm thk. & 48 mm thk. is available  
Model II with TC (800 mm H) is suitable.

Perforated panel & soft board (on half length) along the length of table with 457 mm Height.

Blue colour cloth on soft board.

For Accessories, refer Create & FPO Bin Product No. 05

Finish : Powder coating (Deep Blue / Ivory Glossy / PO Red).



Model Type	Length (mm)	Width (mm)	Height (mm)
MT / 150 / TC 80	1500	700	850
MT / 180 / TC 80	1800	700	850
MT / 200 / TC 80	2000	700	850

**Table Trolley**

Made of steel design with 3 shelves welded.  
 Edges 25 mm high, Load capacity of 300 kg..  
 Rubber (6 mm thk.) Black colour provided on shelves.  
 Dimension : 1000 mm L x 650 mm W x 900 mm H.  
 Height Lower / Middle : 150 / 520 mm  
 MD / HP1 castor, wheel Dia 100, 2 swivel and 2 fixed.  
 Finish : Powder coating / Deep Blue.



**Roll Cabinet**

These Cabinets are basically used in shop floor.  
 Manufactured from steel sheet with double wall construction side panels & welded joints for added rigidity.  
 Full Pull out drawers for extra accessibility.  
 Quick release smooth running ball bearing drawers.  
 Full Locking arrangements.  
 Top tray 25 mm height with all sides.  
 Rubber (6 mm thk.) Black colour provided on top tray.  
 Wheel : PU coated castor Dia 100 x 32 W  
 (2 fixed & 2 swivel with Brake).  
 Finish : Powder coating (Metafold Standard)  
 Cabinet - Deep Blue  
 Drawers - Ivory Glossy

**OR**

Cabinet & Drawers -  
 PO Red, Ivory Glossy & DA Grey.

When ordering, please specify the colour.



Model Type	Model RC – I	Model RC – II
Dimensions (L x D x H) mm	720 x 460 x 810	583 x 400 x 810
D 1	S 75 / 1, S 100 / 2, S 125 / 1, F 150 / 1	S 75 / 1, S 100 / 2, S 125 / 1, F 150 / 1
D 2	S 100 / 4, S 125 / 2	S 100 / 4, S 125 / 2

Customized Roll Cabinet for Volkswagen  
 Dimension : 720 mm L x 400 mm D x 810 mm H  
 Drawers : S75 - 1, S100 - 2, S125 - 1, F150 - 1



## TOOL CABINET

### Tool Cabinet with Wheel



Made of Tubular section.  
Soft Board : (580 L x 600 H) mm..  
Soft board is optional, can be added in anytime, fitted with screws.  
Holds clip for A3, A4 paper.  
Blue cloth attached on soft board.  
Slots provided for white board.  
Finish : Powder coating / Ivory Glossy.



MD / PU coated wheel  
Ø 100 x 32 W  
( 2 fixed & 2 swivel with brake)



965 H  
Model II / 425 Lower



965 H  
Model II / 425 Upper



965 H  
Model II / 800

### Stool



965 H  
Model II / 425 Upper  
with Bench vice.



FSTL W



RSTL



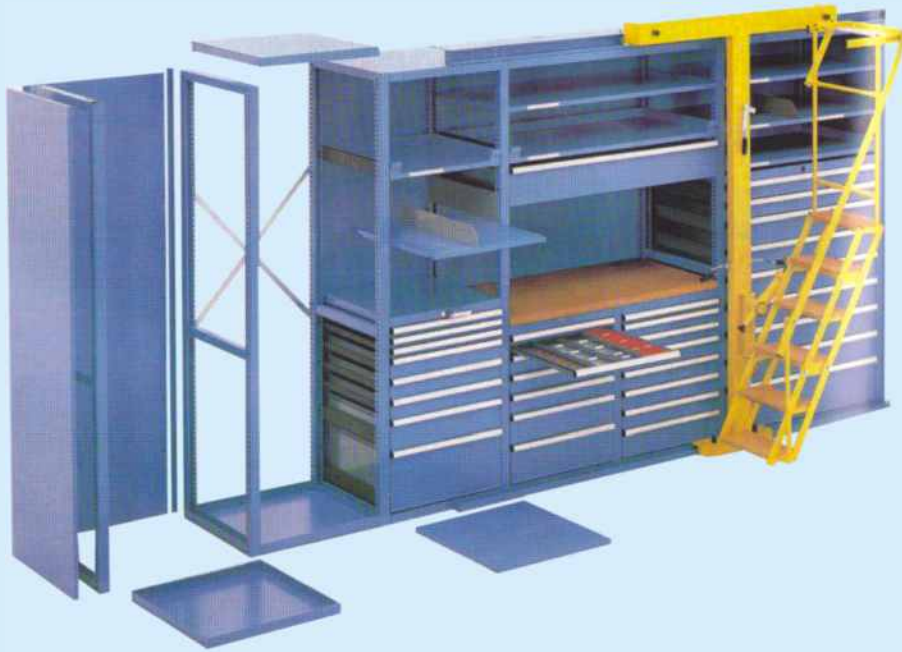
BSTL 03



RSTL 01

SELECTION OF MODEL : Drawer Type with No. of Drawers from Model of Tool Cabinet Standard Table.





## Multi-storage Cabinet With Ladder

Storage with Add-On possible with higher height, simplified by foldable ladder for better access.

Vertical frames are powder coated.

Vertical frame Height : 2000 standard, Optional are 2200, 2500 mm.

Ladder angle of inclination 22° .

Inside width : 330 mm

Outside width : 380 mm

80mm deep foot paddle

## Machine Side Cabinet

Model A : 500 mm L x 500 mm D x 950 mm H.

Model B : 950 mm L x 500 mm D x 950 mm H.

Basically storing of materials on shop floor.

Drawer 150 mm height (1 no.) to keep spanners, drill etc..

Doors hinged type with locking provision.

Cabinets have middle partitions on horizontal.

Rubber (6 mm thk.) black colour on top of cabinet.

Wheel castor MD/PU, Ø 100 (2 fixed & 2 swivel with brake) is suitable for only model A. It's upon request.

Finish : Powder coating / Deep Blue.



Model A



Model B



## Computer Cabinet

It protects dust free (Monitor, CPU, Keyboard, UPS & Printer) from shop floor area.

Individual cabinet & drawer units to keep computer hardware.

Dimension : 720 mm L x 750 mm D x 1450 mm H.

Made of CRCA sheet.

Monitor Door is sliding upwards with Acyclic sheet screwed on front side to protect monitor damage.

Individual key board lockable system with pull out stopping point.

Bottom door hinged type with individual lockable system.

Fixed AC power supply (230 V), 5 Amp & 15 Amp socket, switch inside the cabinet.

Back side perforation to built-in fan to protecting the computer hardware against overheating.

Wheel castor MD/HP1, Ø 100 (2 fixed & 2 swivel with brake) is suitable. It's upon request.

Finish : Powder coating / Deep Blue.